

V5726 Grate



Product Number

45726030

Design Features

- Materials
Ductile Iron (70-50-05)
- Design Load
Heavy Duty
- Open Area
318 sq. in.
- Coating
Undipped
- √ Designates Machined Surface

Certification

- ASTM A536
- AASHTO M306
- Country of Origin: USA

Drawing Revision

12/12/2014 Designer: KK
12/09/2015 Revised By: KK

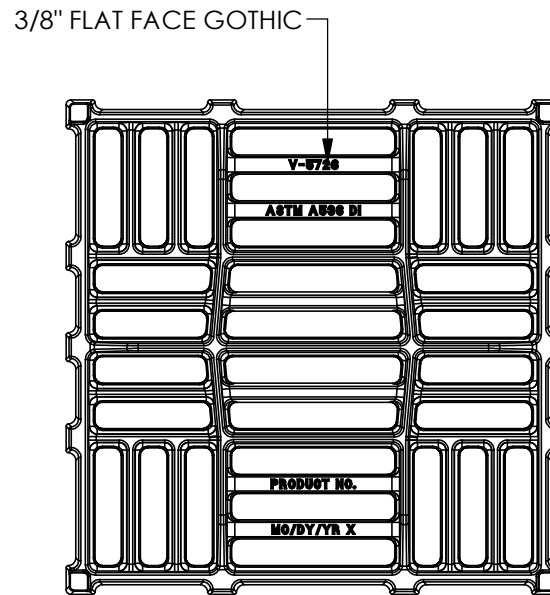
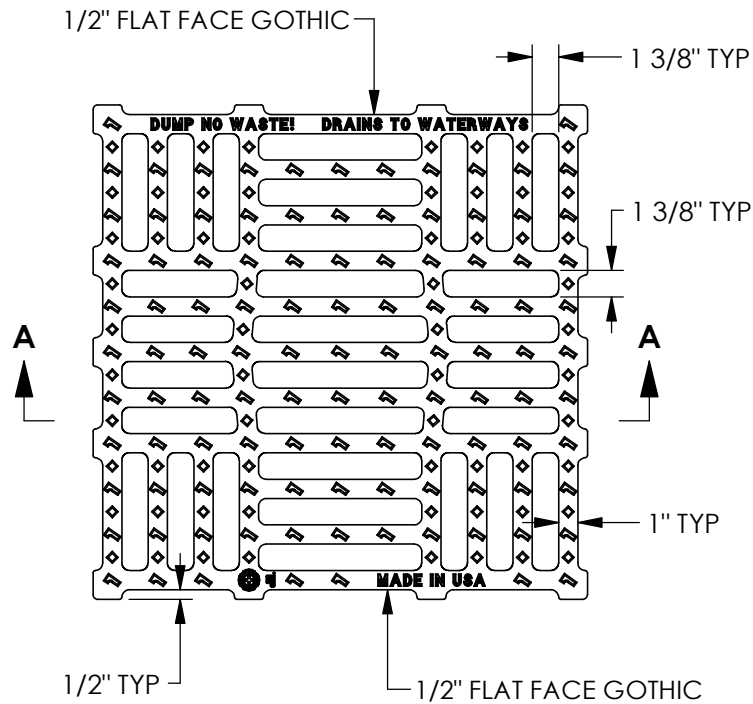
Disclaimer

Weights (lbs/kg), dimensions (inches/mm) and drawings provided for your guidance. We reserve the right to modify specifications without prior notice.

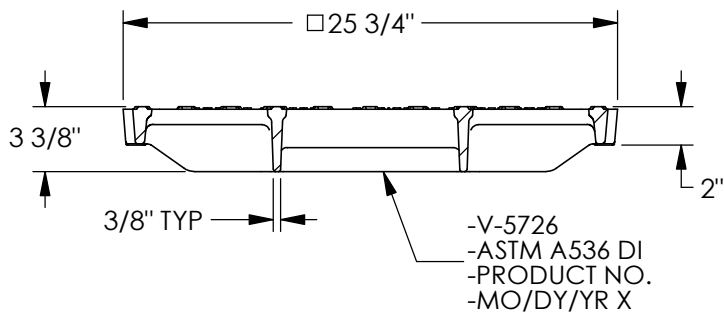
CONFIDENTIAL: This drawing is the property of EJ Group, Inc. and embodies confidential information, registered marks, patents, trade secret information, and/or know how that is the property of EJ Group, Inc. Copyright © 2012 EJ Group, Inc. All rights reserved.

Contact

800 626 4653
ejco.com



BOTTOM VIEW



SECTION A-A